

12

11

10

9

8

7

6

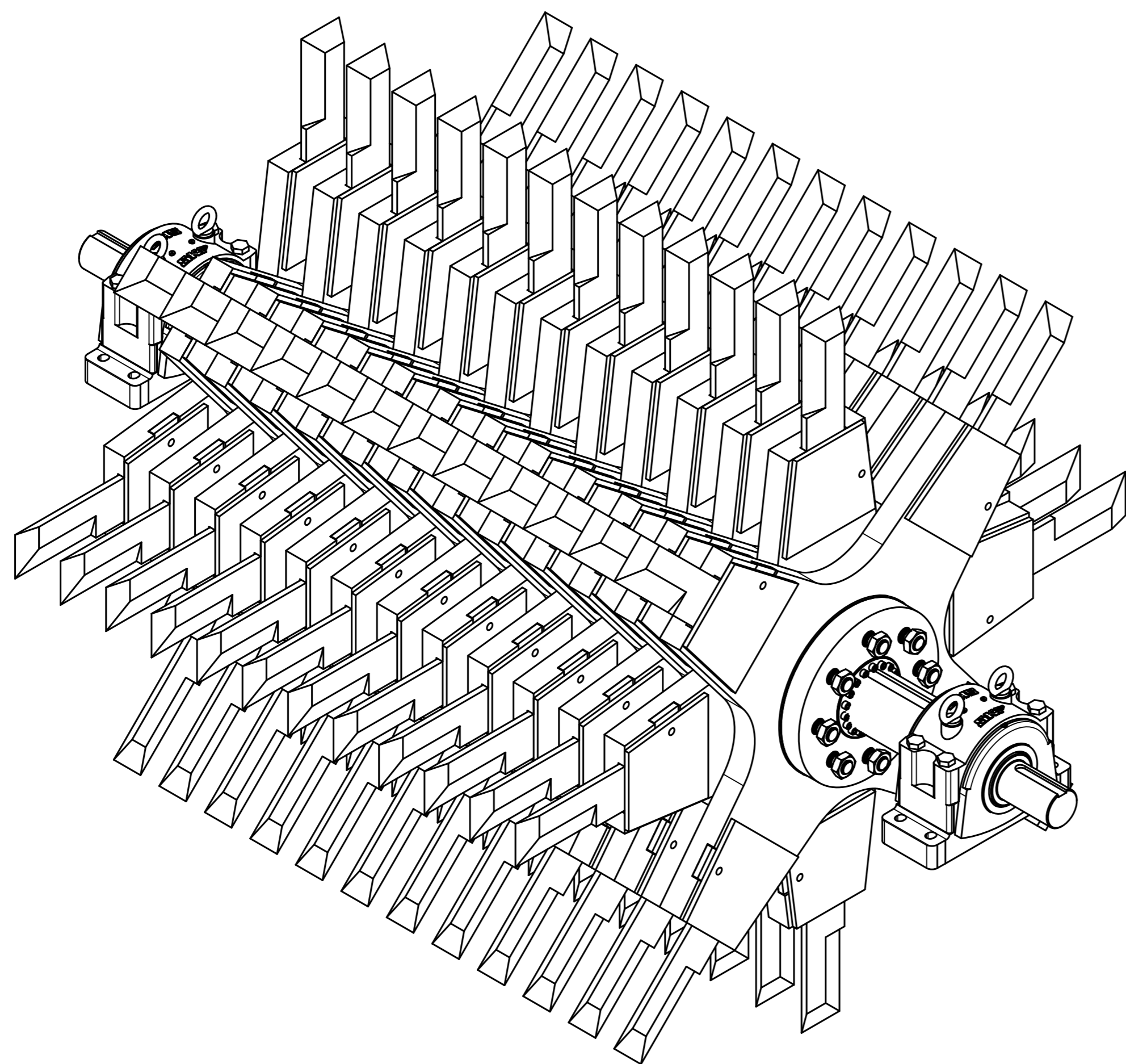
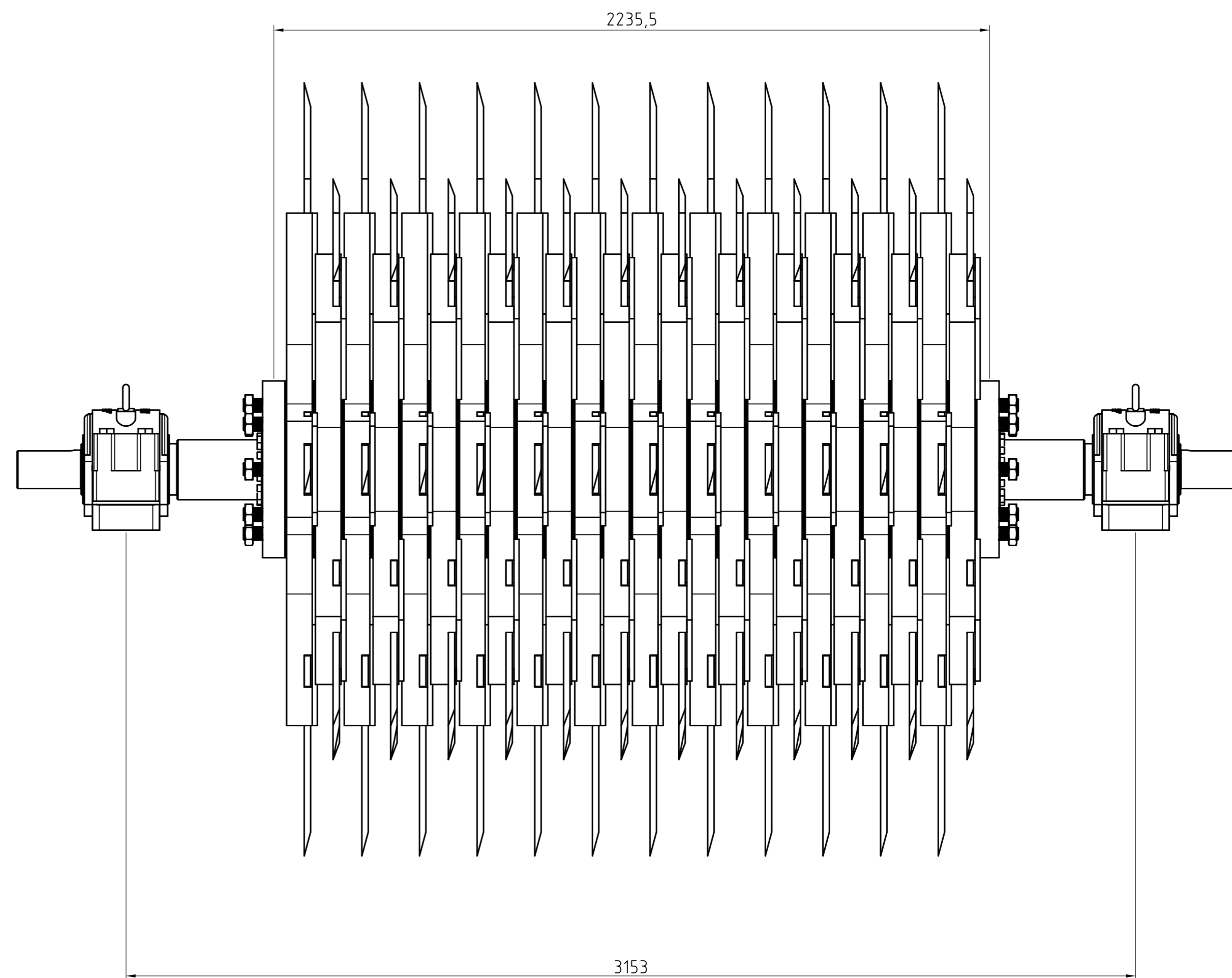
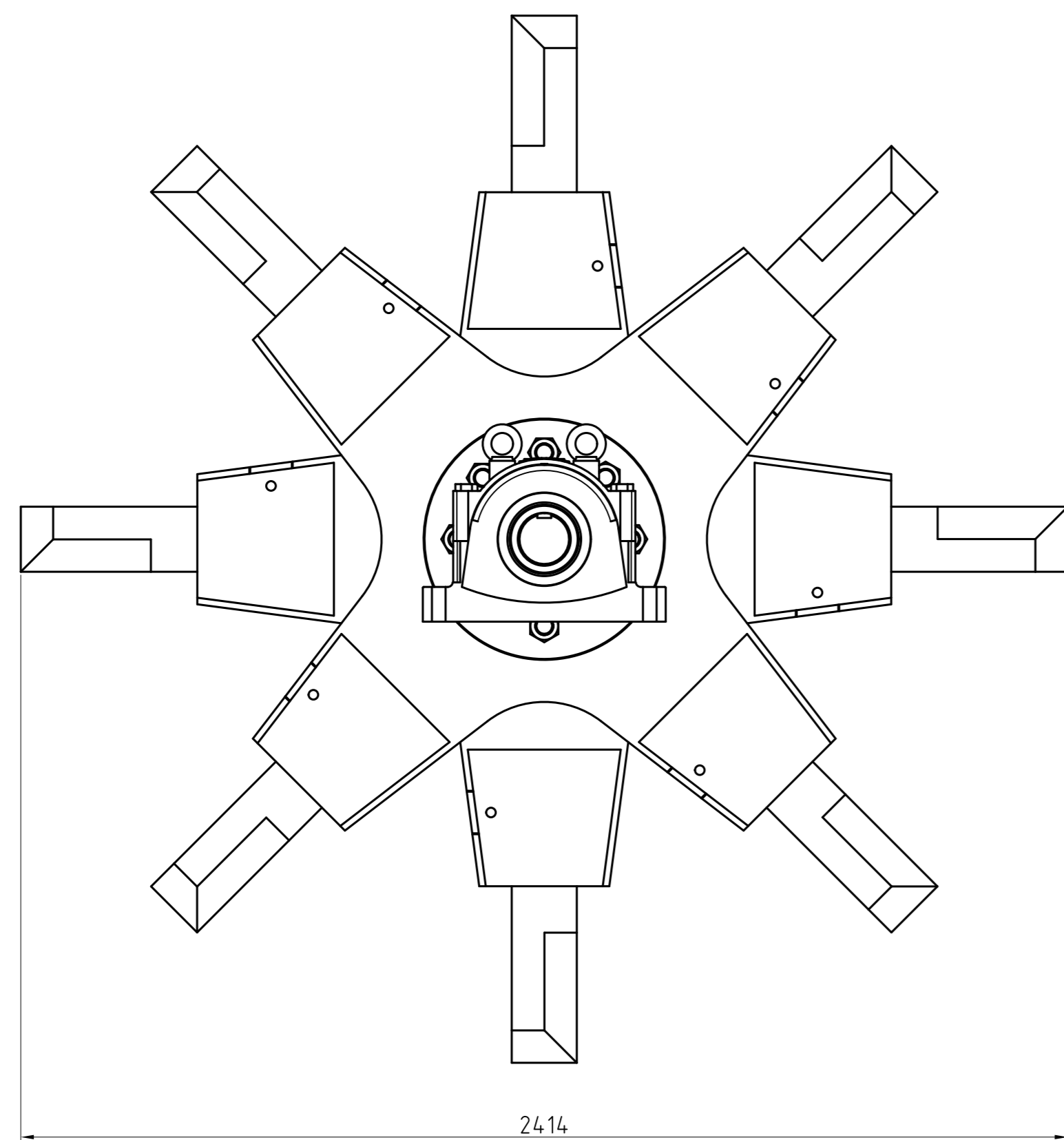
5

4

3

2

1



The Sugar Engineers  
 www.sugartech.co.za  
 5 Firtree Lodge, St. Aidan's Ave  
 Grahamstown, 6139  
 Eastern Cape  
 South Africa  
 +27 466 228 623

UNLESS OTHERWISE SPECIFIED: DIMENSIONS ARE IN MM  ANGULAR ± ° * FRACTIONAL ± ± *  SURFACE FINISH ✓  DO NOT SCALE DRAWING BREAK ALL SHARP EDGES AND REMOVE BURRS FIRST ANGLE PROJECTION	DRAWN	NAME	SIGNATURE	DATE
	CHECKED			
	APPROVED	W JAYES		
	MATERIAL		FINISH	

Assembly			
TITLE			
CK01			
SIZE	DWG NO.	REV.	
A1	1600-0999	A	
SCALE	WEIGHT	SHEET	1 of 1

12

11

10

9

8

7

6

5

4

3

2

1